

GENUINE SPARE PARTS

P 371 Model Year 2008

- Use GLOBAL GARDEN PRODUCT Genuine Spare Parts specified in the parts list for repair and/or replacement.
- The contents described in the parts list may change due to improvement.
- The drawings of the spare parts are only indicative and might not represent the part in question exactly.
- The indications "right" - "left" - "front" - "rear" refer to the position of the operator when using the machine.
- When placing orders of parts for repair and/or replacement, make sure that the illustrated parts list is the one applying to the machine's year of manufacture, as shown on the identification plate attached to the machine.

COPYRIGHT by GLOBAL GARDEN PRODUCTS

All rights reserved. No part of this material may be reproduced or transmitted, in any form or by any means, electronic or mechanical, including photocopying, recording or by any information storage and retrieval system, without permission in writing from GLOBAL GARDEN PRODUCTS.

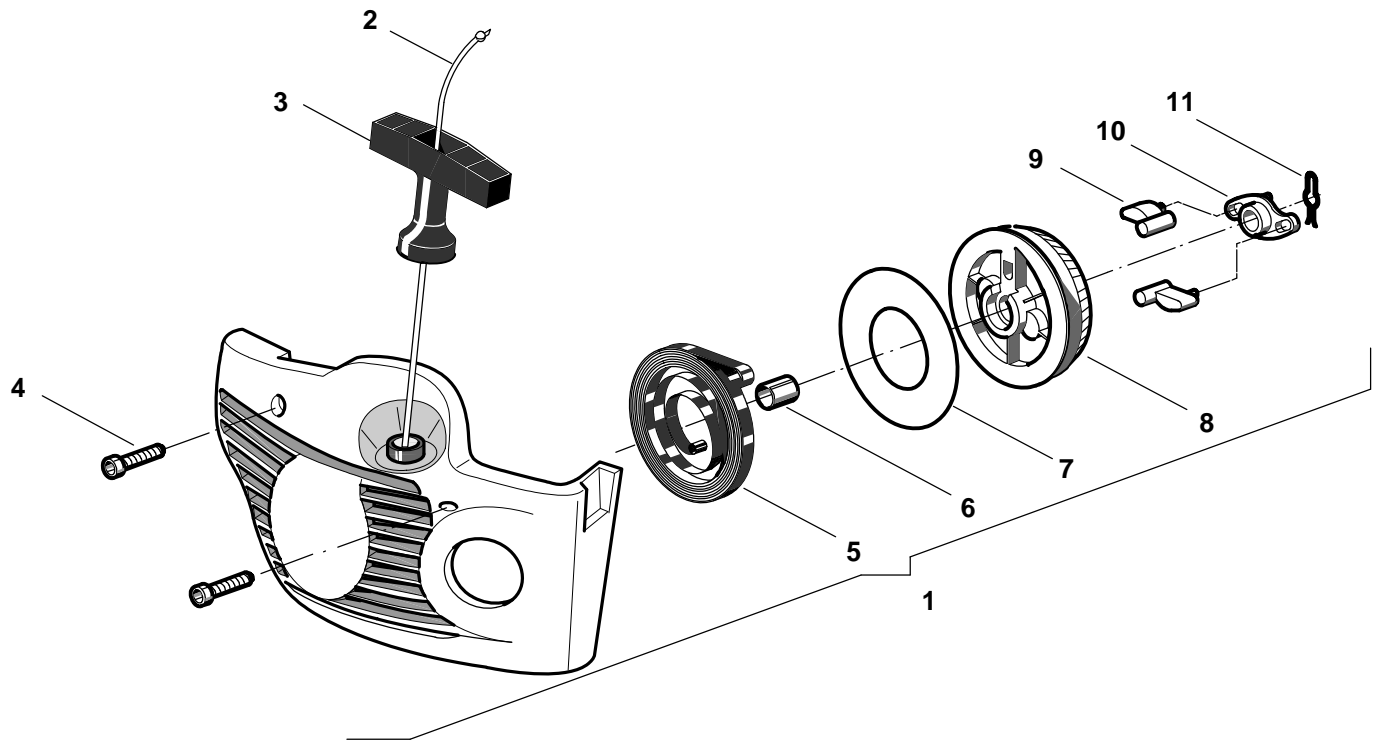
...THINKING GREEN





P 371 - Model Year 2008

Starter

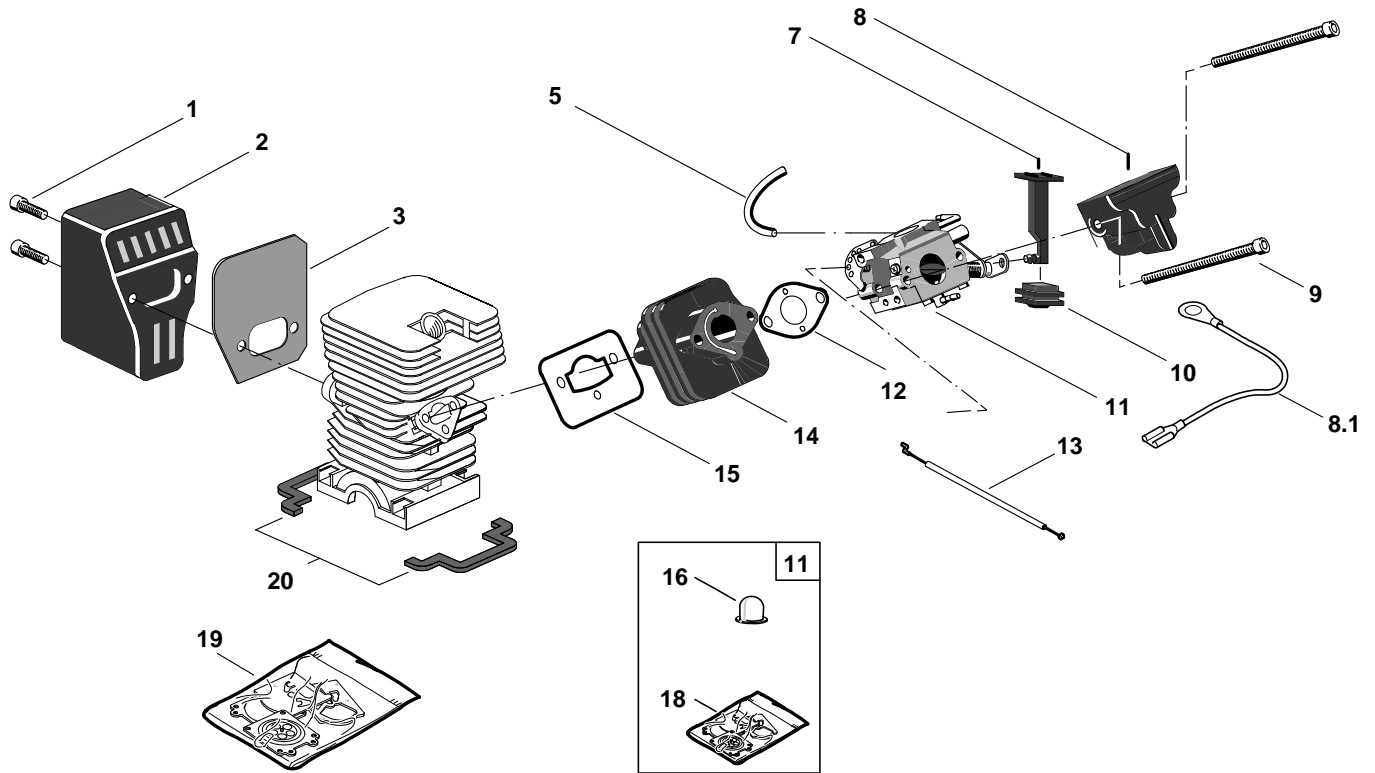


Pos.	Part no.	Q.ty	Description	Remarks
1	4252600	1	Carter Assy Yellow	
2	3784030	1	Starter Cord	
3	3750067	1	Starter Handle	
4	2123030	3	Screw	
5	4611480	1	Spring	
6	3623590	1	Bushing	
7	3723640	1	Disc	
8	3750130	1	Starter Pulley	
9	3750080	2	Starter Hook	
10	3750140	1	Starter Hook Guide	
11	3657480	1	Retainer	



P 371 - Model Year 2008

Carburettor

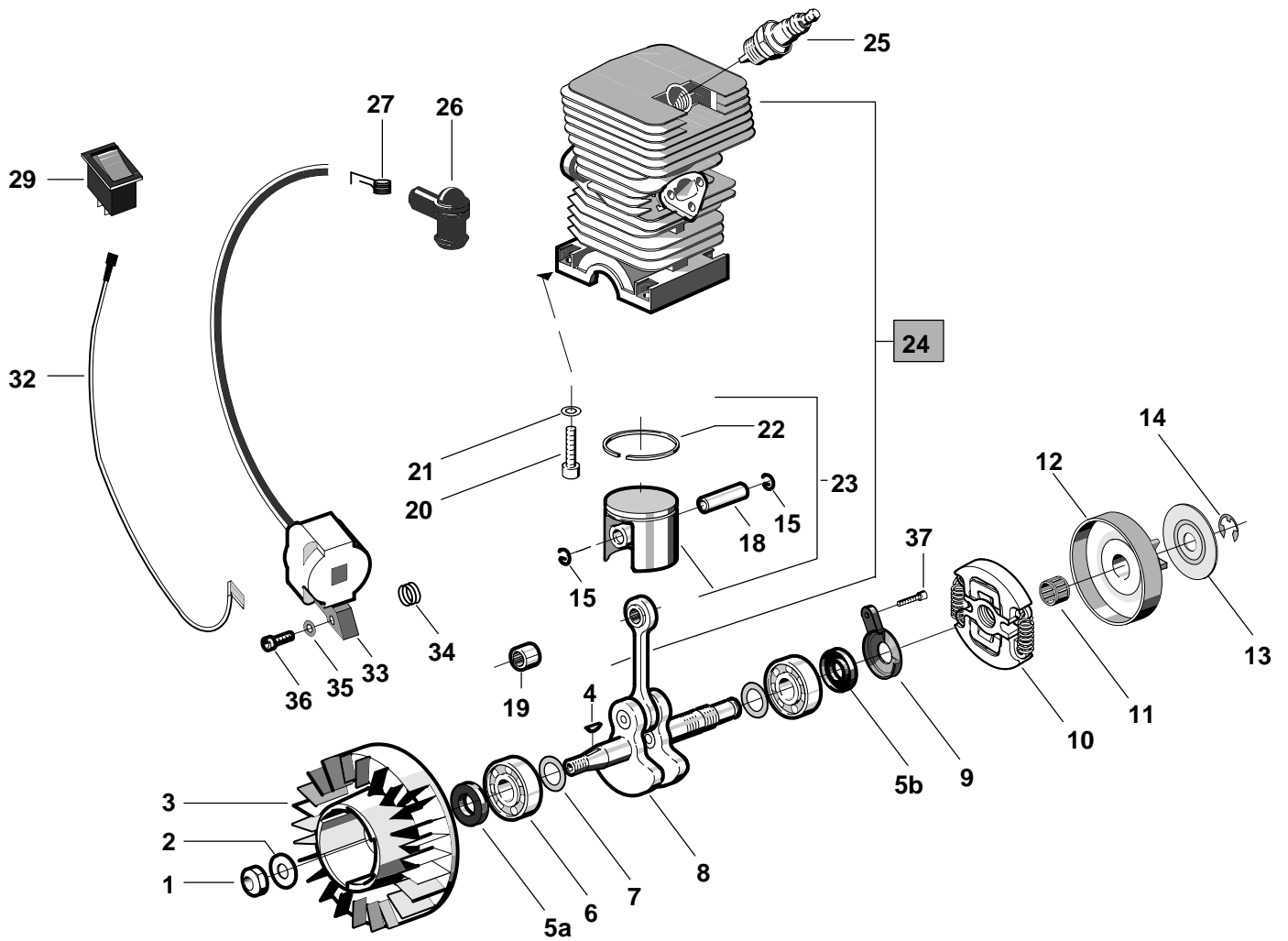


Pos.	Part no.	Q.ty	Description	Remarks
1	2135040	2	Screw	
2	4122040	1	Muffler Assy	
3	3724270	1	Muffler Gasket	
5	3786130	1	Tube	
7	3743640	1	Choke Lever	
8,1	3211690	1	Earth Cable	
8	8744781	1	Intake Manifold Assy	
9	2135210	2	Screw	
10	3745650	1	Grommet	
11	23054003/2	1	Carburettor	Walbro WT 718B
12	1L3724160/1	1	Gasket	
13	4252480	1	Throttle Cable	
14	3750180	1	Intake Manifold	
15	1L3724300/1	1	Gasket	
16	3744870	1	Primer	
18	8724091	1	Diaphragm-Gasket Set	
19	8724300	1	Gasket Set	
20	3721560	2	Gasket	



P 371 - Model Year 2008

Crankshaft and cylinder





P 371 - Model Year 2008

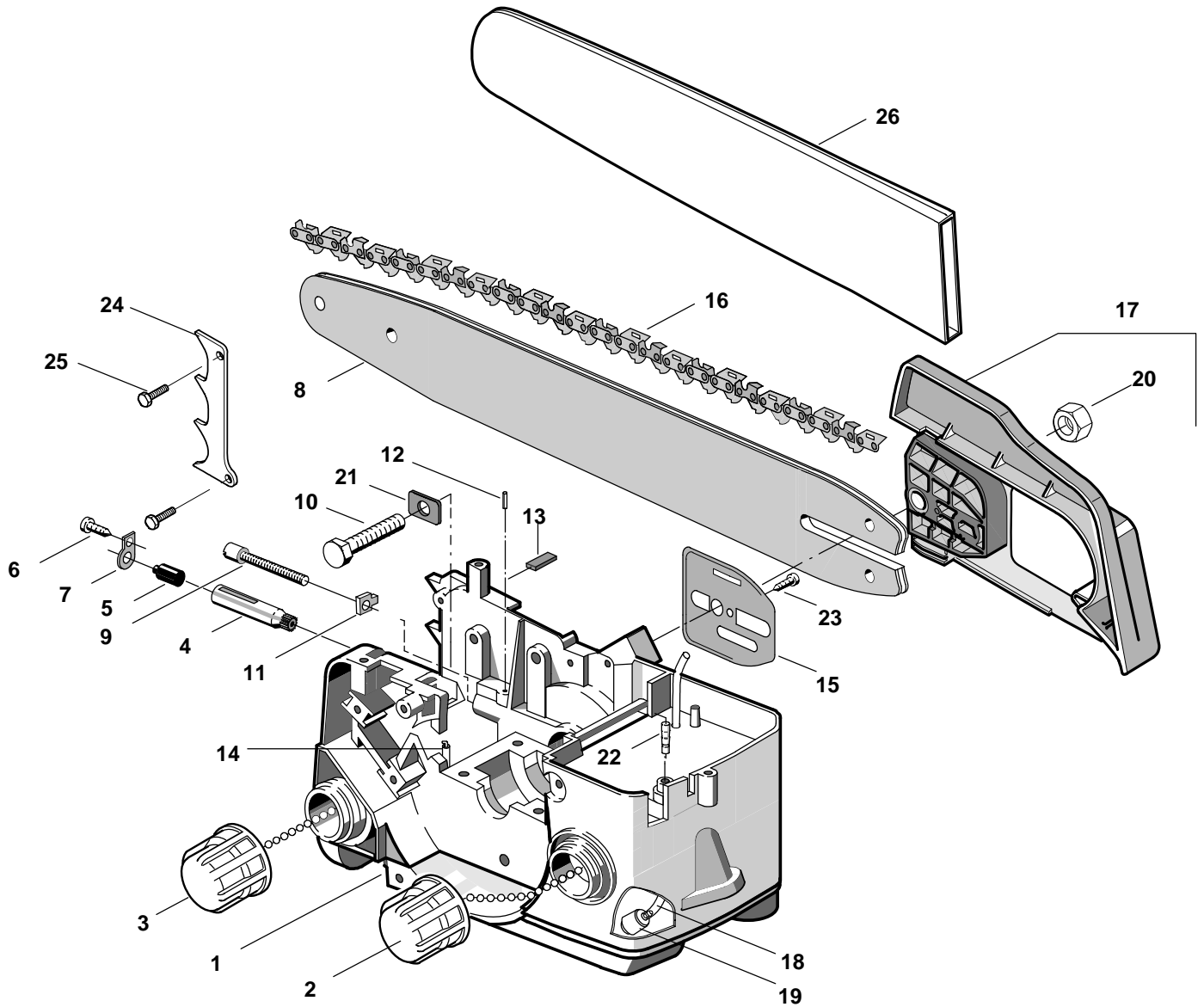
Crankshaft and cylinder

Pos.	Part no.	Q.ty	Description	Remarks
1	2432050	1	Nut	
2	2312080	1	Washer	
3	4541210/1	1	Flywheel	
4	3151010	1	Flywheel Key	
5a	3121071	1	Seal Ring	
5b	3121072	1	Seal Ring	
6	3112030	2	Ball Bearing	
7	3614480	2	Washer	
8	4251960/1	1	Crankshaft(+19)	
9	3750311	1	Oil Pump Cap	
10	4252200/1	1	Clutch Assy	
11	3114190	1	Needle Bearing	
12	4121208	1	"Sproket 3/8" Mini"	
12	4122070	1	"Sproket 325" ""	
13	3612620	1	Washer	
14	12000955/0	1	Circlip	
15	3356050	2	Circlip	
18	3158260	1	Piston Pin	
19	3116100	1	Needle Bearing	
20	2135030	4	Screw	
21	2330020	4	Grower	
22	3123220	1	Piston Ring D. 39	
23	8541360/1	1	Piston Assy D.39 (Incl. 15,18,22)	
24	8541370/1	1	Cylinder-Piston Assy D.39	
25	3210024	1	Spark Plug	
26	4252550	1	Spark Plug Cover	
27	3657050	1	Spark Plug Spring	
29	3210970	1	Stop Switch	
32	3211380	1	Earth Cable	
33	3211350/1	1	Electronic Coil	
34	3654480	1	Spring	
35	2321150	2	Washer	
36	2123140	2	Screw	
37	2123020	1	Screw	



P 371 - Model Year 2008

Crankcase-trim group





P 371 - Model Year 2008

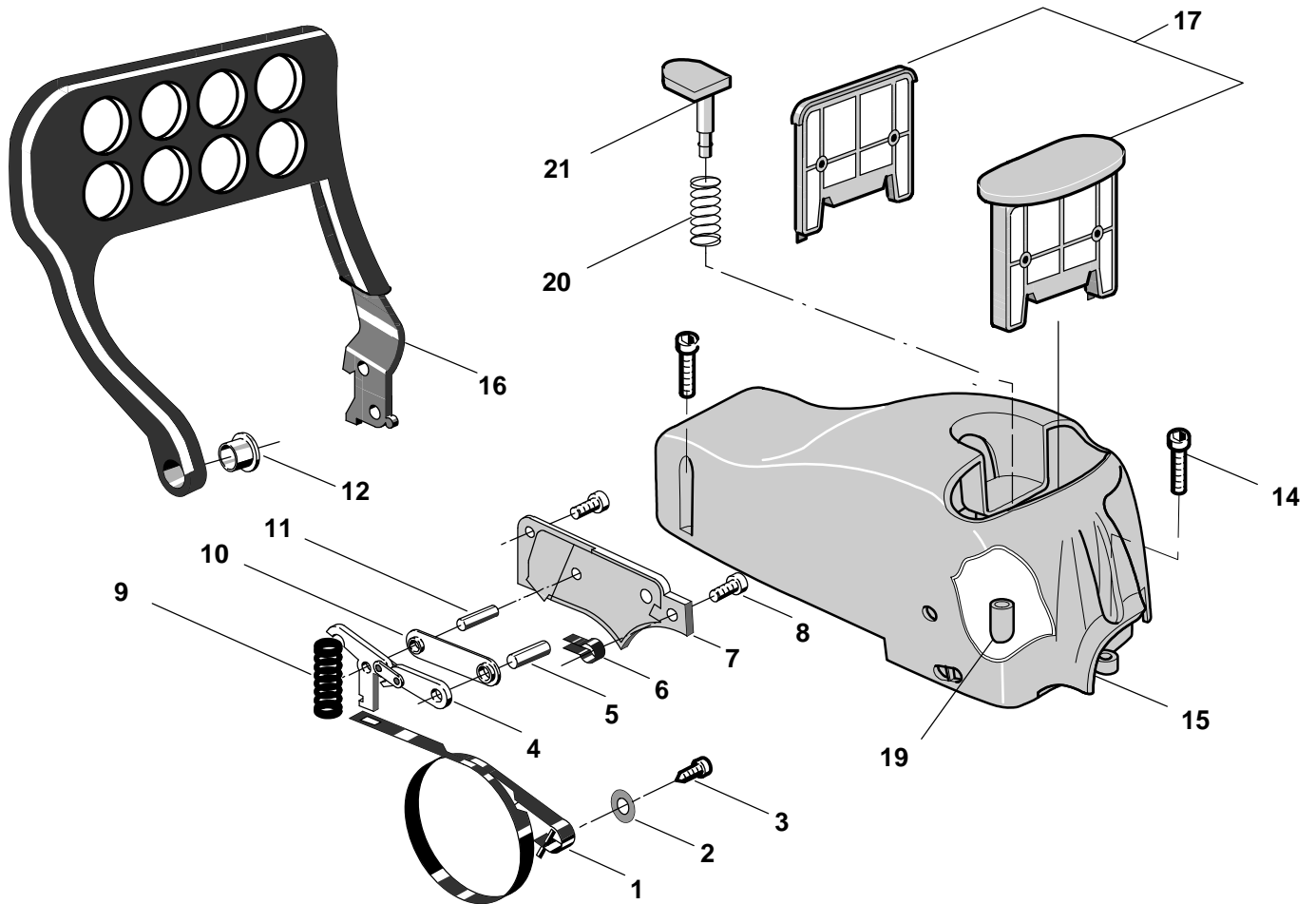
Crankcase-trim group

Pos.	Part no.	Q.ty	Description	Remarks
1	83057002/0	1	Crankase	
2	4252630	1	Oil Cap Assy	
3	4252630	1	Oil Cap Assy	
4	4252220	1	Oil Pump	
5	3744790	1	Spacer	
6	2123020	1	Screw	
7	3614810	1	Retainer	
8	23900107/0	1	"Guide Bar 16""	16" 325" .050" (1.3 mm)
8	23900109/0	1	"Guide Bar 13""	13" 325" .050" (1.3 mm)
8	23900110/0	1	"Guide Bar 14""	14" 3/8" Mini .050" (1.3 mm)
8	23900111/0	1	"Guide Bar 16""	16" 3/8" Mini .050" (1.3 mm)
9	2653470	1	Screw	
10	23878001/0	1	Screw	
11	3641970	1	Plug	
12	3741360	1	Cap For Oil Delivery	
13	3614930	1	Insert	
14	4353090/1	1	Tube Ass.Y For Oil Breather	
15	23311002/0	1	Plate	
16	4113702	1	"Chain 14""	14" 3/8" .050" (1.3 mm) - 50E
16	4113705	1	"Chain 16""	16" 3/8" .050" (1.3 mm) - 56E
16	4113710	1	"Chain 16""	13" 325" .050" (1.3 mm) - 56E
16	4113711	1	"Chain 16""	16" 325" .050" (1.3 mm) - 64E
17	4252590	1	Clutch Housing Assy Yellow	
18	3786050	1	Fuel Line	
19	4253290	1	Intake Filter	
20	2670270	1	Nut	
21	23650100/0	1	Bar Screw Support	
22	4253680	1	Breather Valve Assy	
23	2123060	1	Screw	
24	23026000/0	1	Spike	
25	2123100	1	Screw	
26	4181297	1	Chain Cover	
26	4181307	1	Chain Cover	



P 371 - Model Year 2008

Crankcase

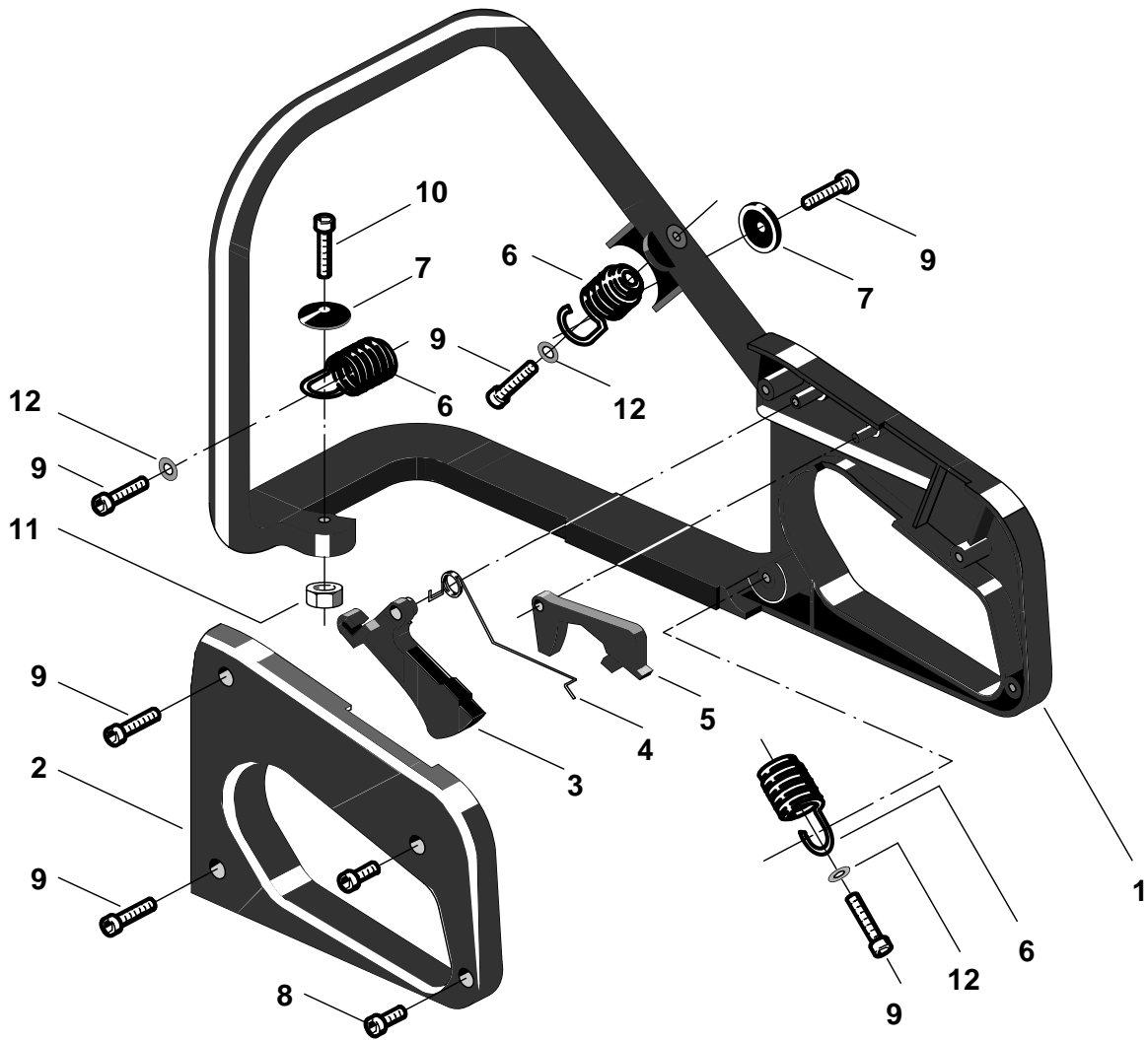


Pos.	Part no.	Q.ty	Description	Remarks
1	3614740	1	Brake Band	
2	2312100	1	Washer	
3	2123060	1	Screw	
4	4252310	1	Chain Brake Lever	
5	3180500	1	Roller 5X19,8	
6	3614780	1	Spring	
7	3750117	1	Cylinder Cover	
8	2123100	2	Screw	
9	3654420	1	Spring	
10	3614490	1	Plate	
11	3180510	1	Roller 6X21,8	
12	3614330	1	Bush	
14	2123030	3	Screw	
15	4252610	1	Cylinder Cover Yellow	
16	4563770	1	Hand Guard	
17	8781610	1	Air Filter	
19	3750450	1	Air Purge Cap Button	
20	3654430	1	Springs	
21	3750440	1	Air Purge Pump	



P 371 - Model Year 2008

Handle



Pos.	Part no.	Q.ty	Description	Remarks
1	4563750	1	Handle	
2	4563760	1	Handle Cover	
3	3743587	1	Throttle Lever	
4	3654440/1	1	Spring	
5	3743597	1	Safety Lever	
6	3654400	3	Spring	
7	3614800	2	Washer	
8	2123100	3	Screw	
9	2123031	6	Screw	
10	2135040	1	Screw	
11	2432040	1	Nut	
12	2312090	3	Washer	